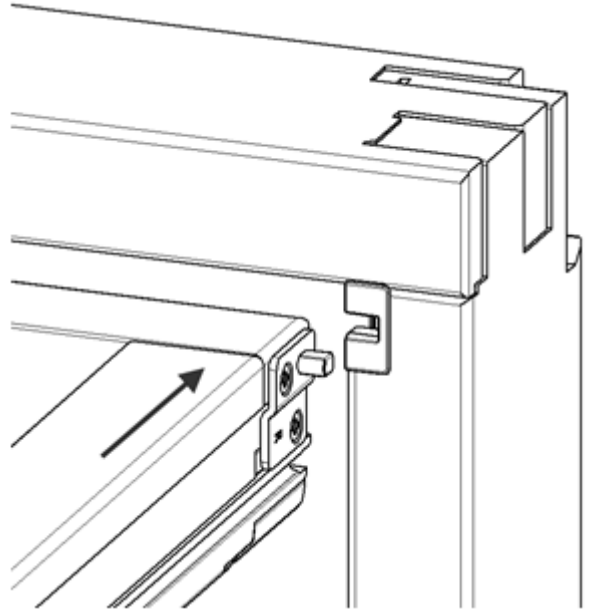


INFORMATION LETTER FROM SPILKA INDUSTRI. 28. September 2012

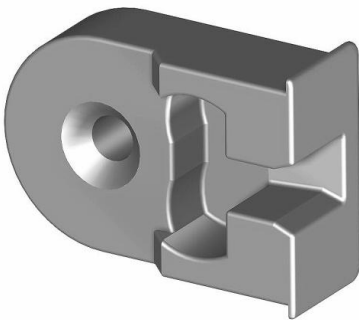
NEW SPILKA HINGE FOR TOP HUNG WINDOWS

The Spilka Topp hinge is our new hinge variant for top hung windows. Spilka has developed top hung hinges to offer our customers an even more complete solution for windows. Spilka's Topp hinge is ideal for windows in basements, garages storage and laundry rooms.

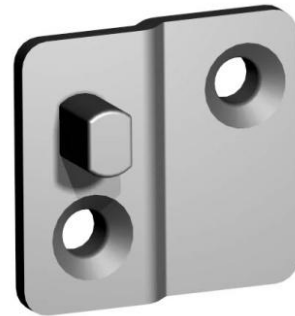
The hinge consists of two parts, one for the frame and one for the sash. The frame component is plastic and comes in a standard grey colour (RAL 7035). The sash part (handed right and left) is made of yellow chrome steel. Custom screw is Ø4, 5 x 30. Maximum sash weight: 40 kg.



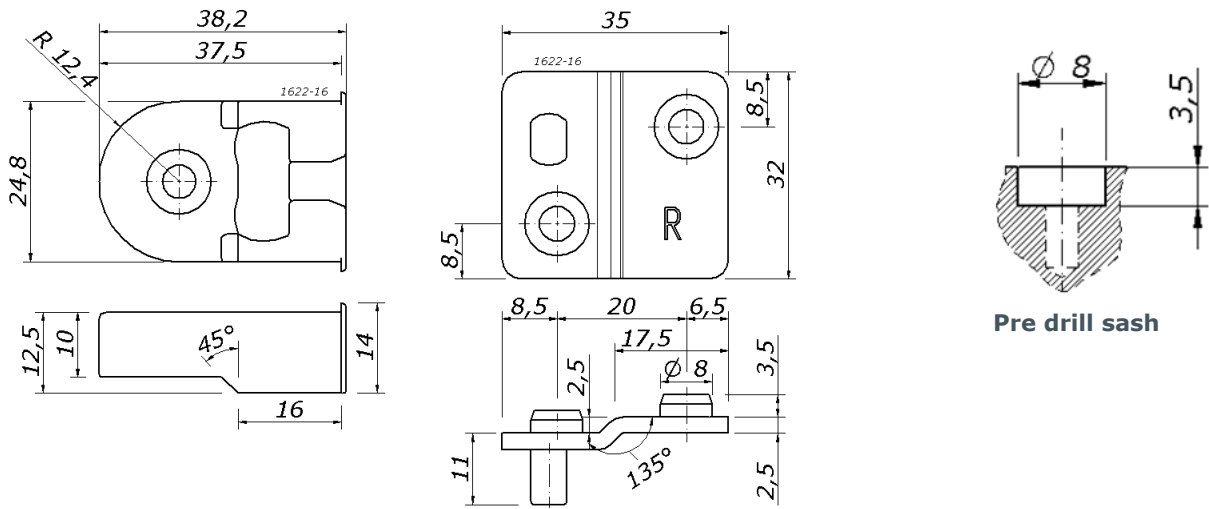
Frame part:



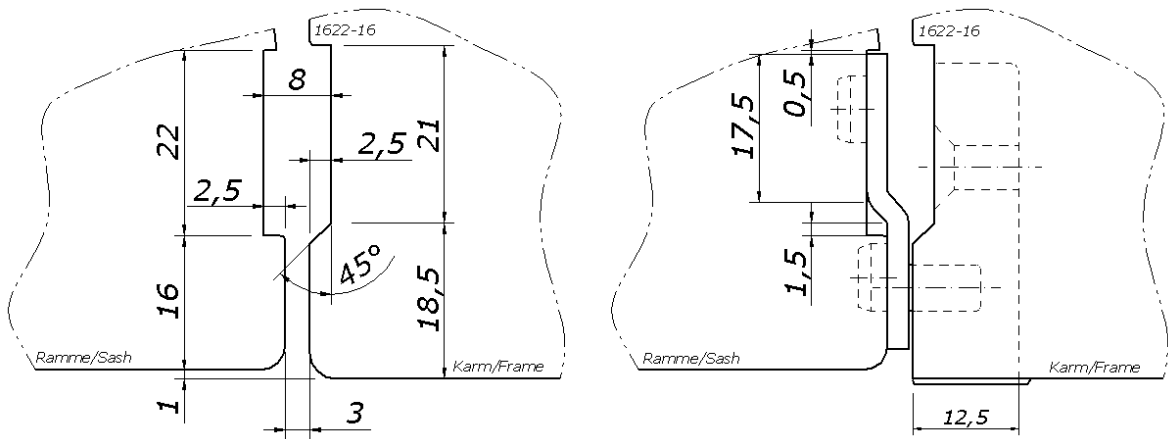
Sash part R:



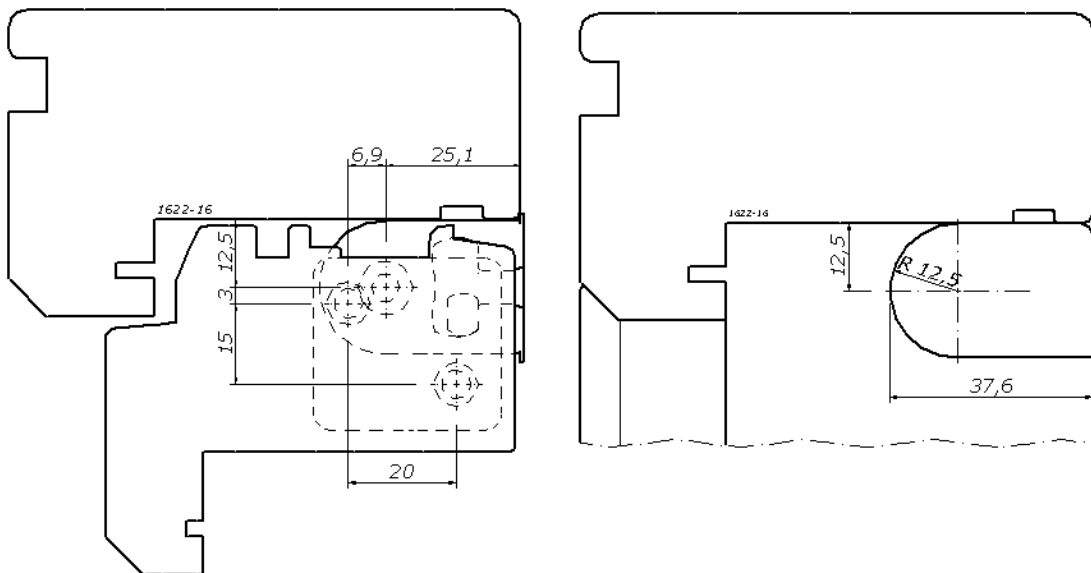
Part no.	Description	Package	Price	Unit
20681	Top hung sash part R	50	Kr. 10,85	Nos
20682	Top hung sash part L	50	Kr. 10,85	Nos
20690	Top hung frame part grey	100	Kr. 5,85	Nos



Drawing (below) shows suggested profiles and mounting:



Drawing below shows positioning of parts and processing (seen from right side):

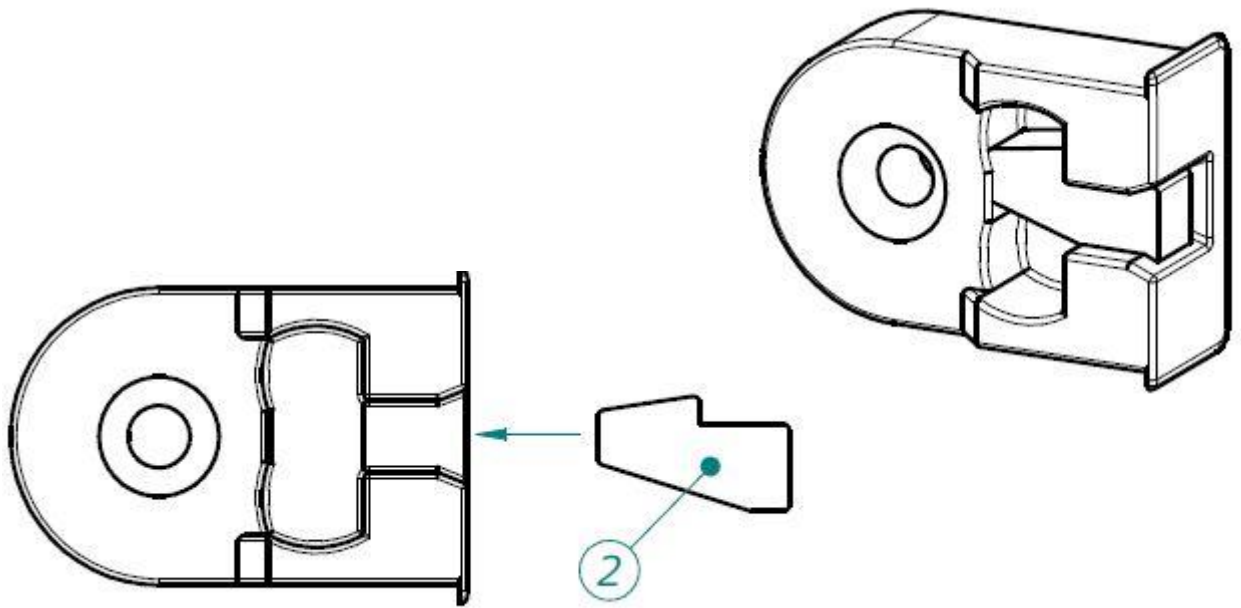


Rubber locking device for top hung hinges

If required the sash can be removed by being opened to 90 degrees and then lifted up and out. To ensure that this does not happen accidentally, we offer a rubber locking device that prevents this. The locking device is pressed in place from the outside after the sash has been mounted in the frame.

To remove the sash the locking device has to be removed - by using a small flat screwdriver or an awl. NB! Remember to press the locking device back in place after reassembly.

The locking devices for top hung hinges are made of black natural rubber.



Part no.	Description	Package	Price	Unit
20680	RUBBER LOCKING DEVICE	100	Kr. 3,00	NOS

Please contact your regular contact person at Spilka for further information. Our R&D development by Per Helge Knutsen will also assist with further information or detailed drawing for routing and installation;

Per Helge Knutsen, direct phone +47 70 17 65 82, e-mail pk@spilka.no